

**NORTH CANOPY
FALL PROTECTION SYSTEM LAYOUT
scale 1:100**

**SOUTH CANOPY
FALL PROTECTION SYSTEM LAYOUT
scale 1:100**

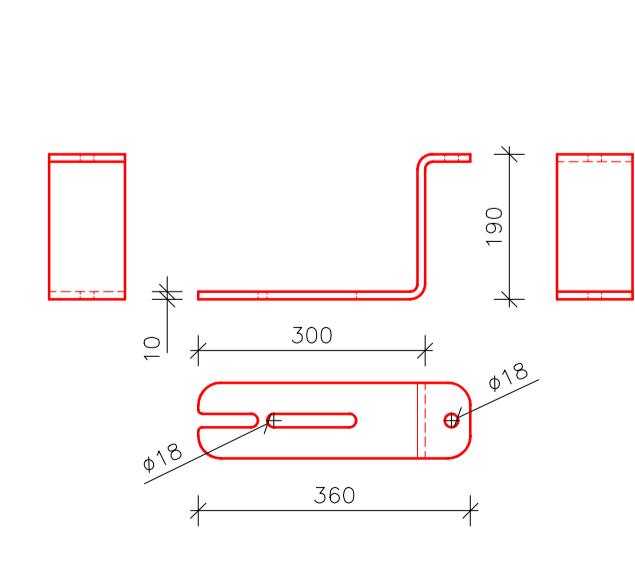
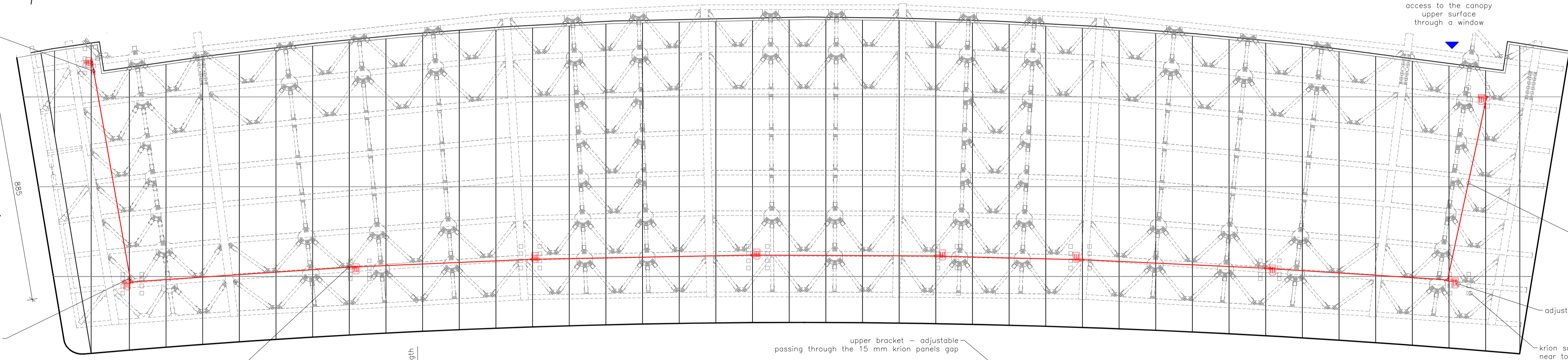
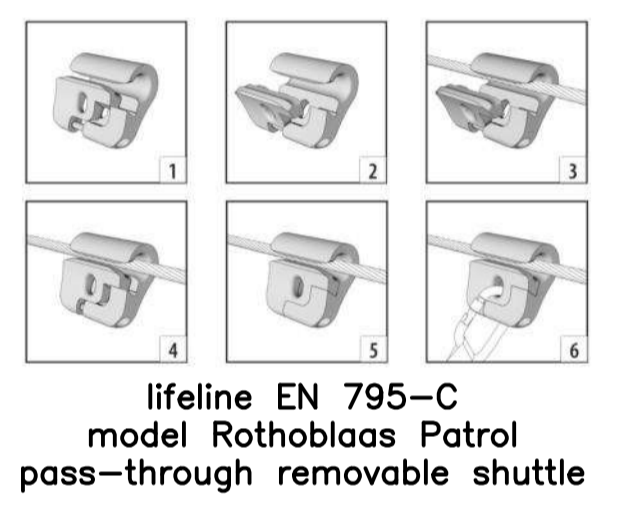
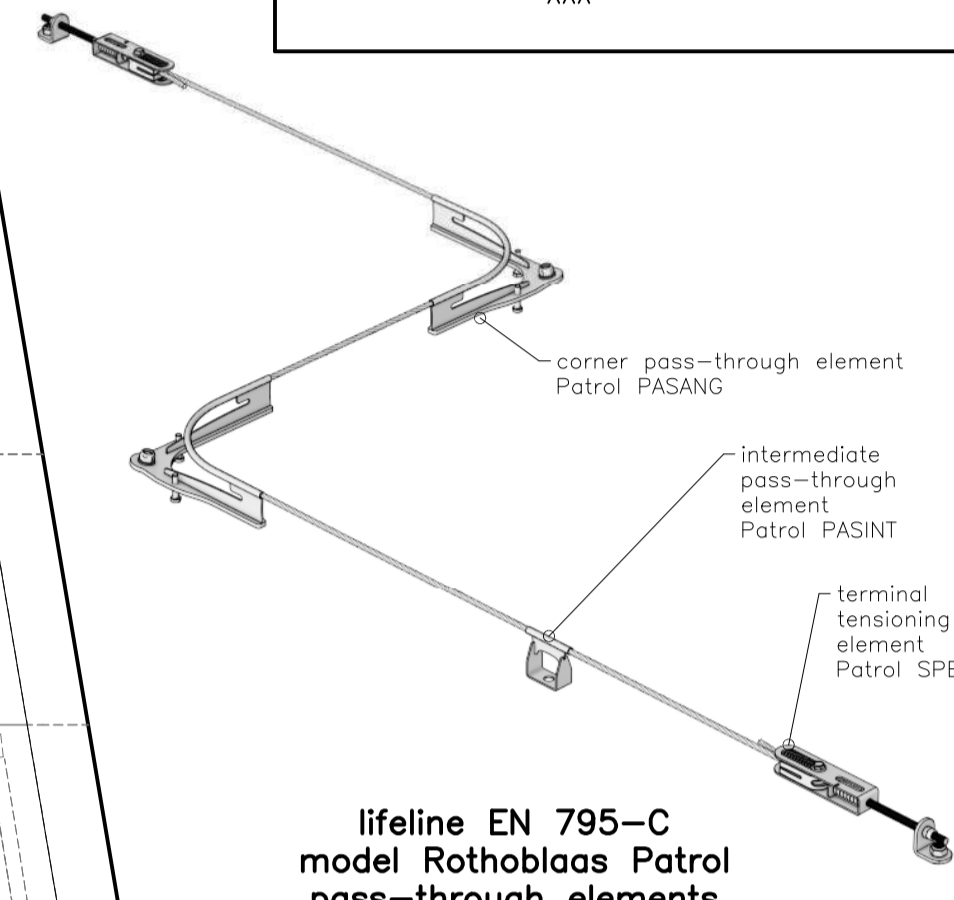
ERGAMATIA
SICUREZZA CANTIERI E AMBIENTI DI LAVORO

rothblaas

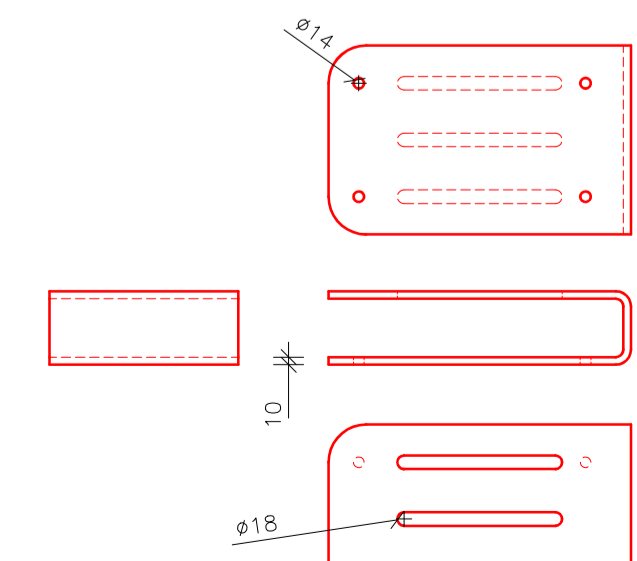
FALL PROTECTION SYSTEM
EN 363:2008
EN 795:2012

Project: XXXXX XXXXX
North and South canopies

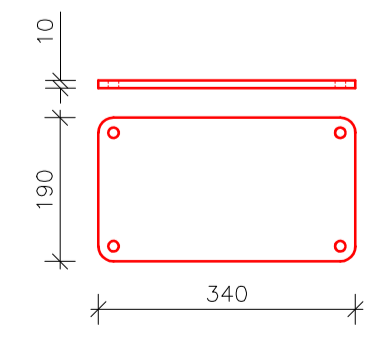
General contractor: XXX XXXXX XXX
XXXXX XXXXX
XXX



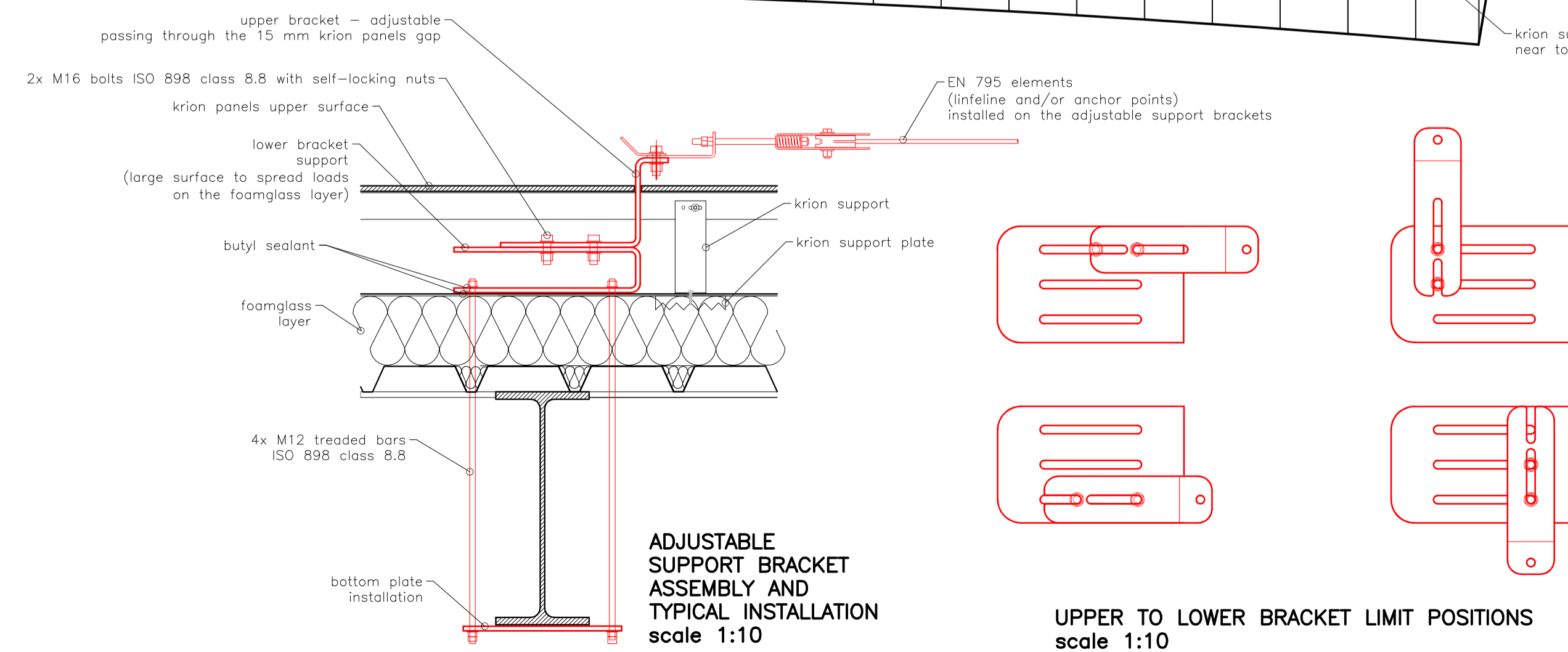
**UPPER BRACKET
steel S235JR
scale 1:10**



**LOWER BRACKET
steel S235JR
scale 1:10**



**BOTTOM PLATE
steel S235JR
scale 1:10**



**ADJUSTABLE
SUPPORT BRACKET
ASSEMBLY AND
TYPICAL INSTALLATION
scale 1:10**

**UPPER TO LOWER BRACKET LIMIT POSITIONS
scale 1:10**

Project:
eng. Paolo Garbin

Drawing 2018-17-DAC-XX Date 18/07/2018
Size A1 Scale 1:100-1:10 Sheet 1 di 1

ERGAMATIA art. Via G. B. Velluti 14/4 Dolo (Ve) Tel +39 0415600256 www.ergamatia.com

6

5

4

3

2

1

D

D

C

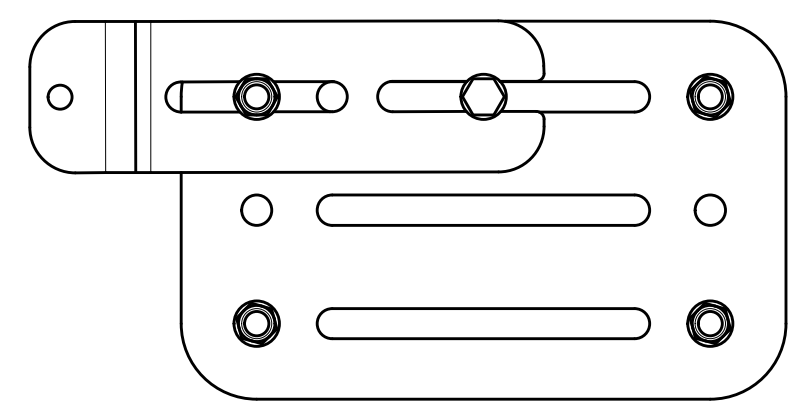
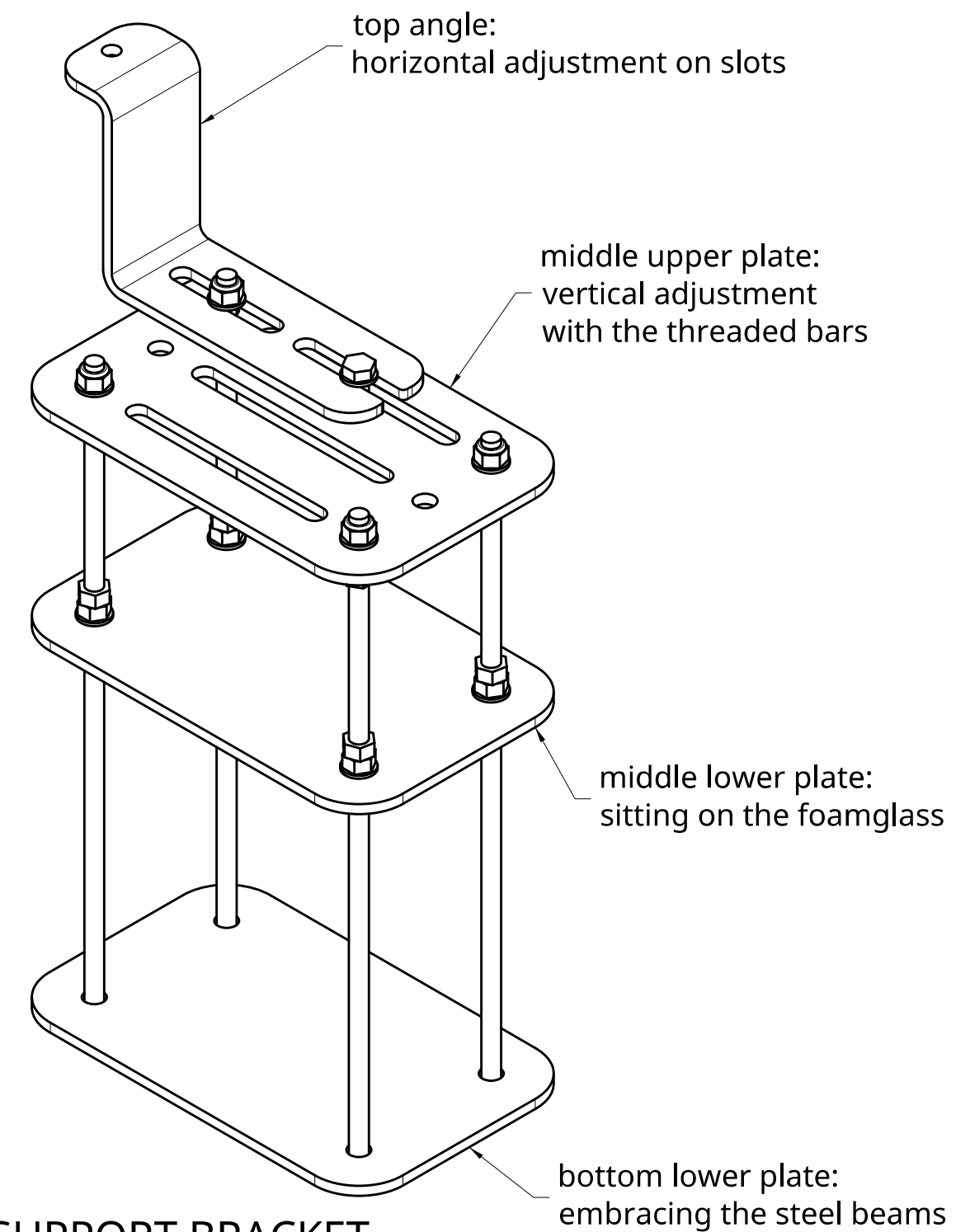
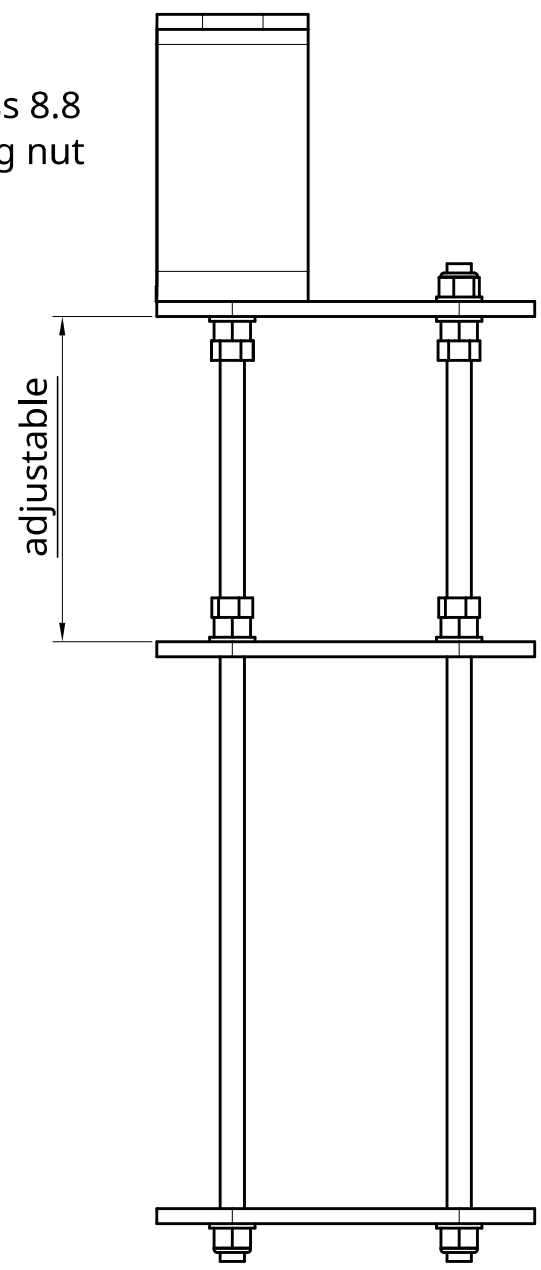
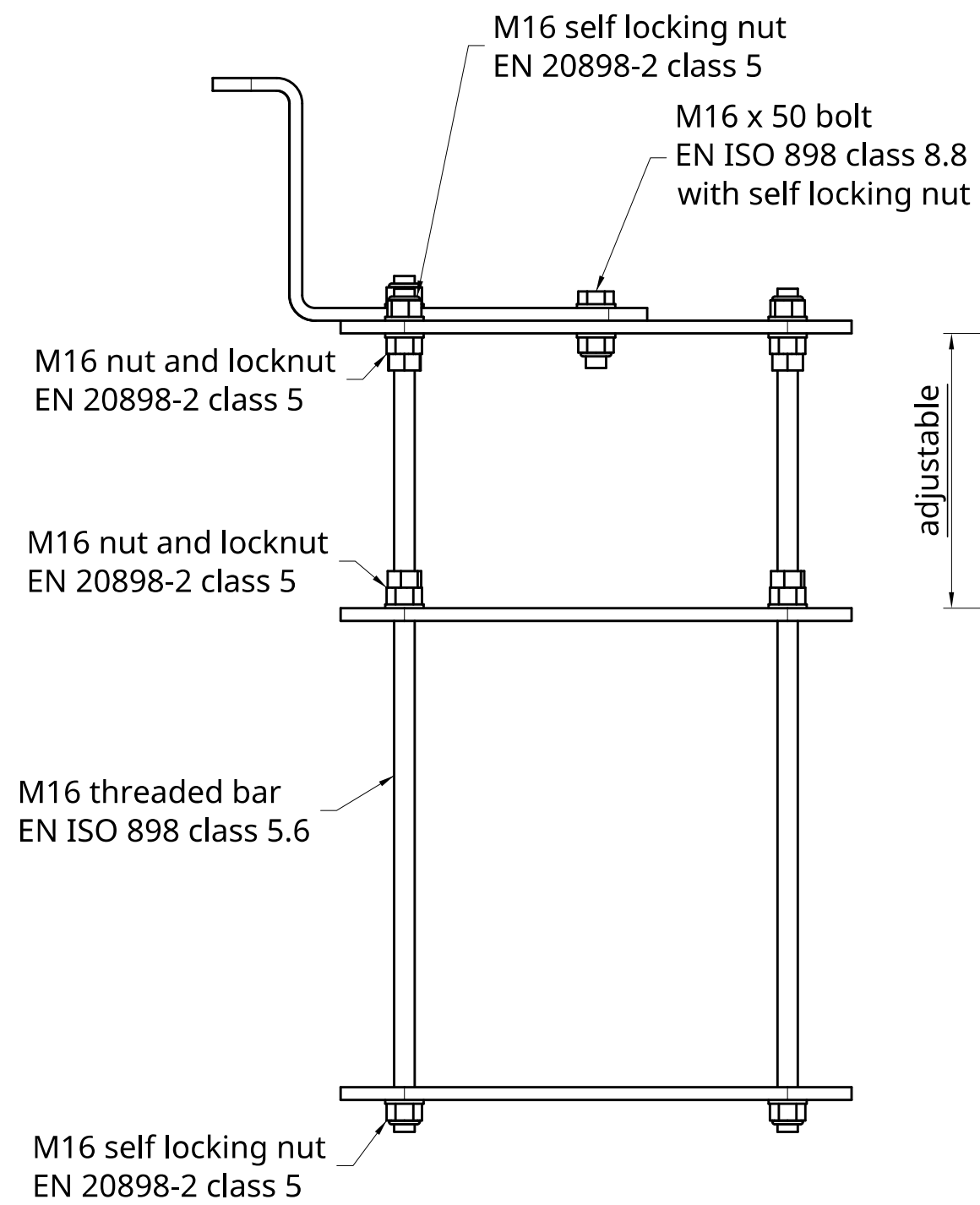
C

B

B

A

A



ADJUSTABLE SUPPORT BRACKET TYPICAL LAYOUT

UNLESS OTHERWISE SPECIFIED, DIMENSIONS ARE IN MILLIMETERS ANGULAR = ± ° SURFACE FINISH ✓ DO NOT SCALE DRAWING BREAK ALL SHARP EDGES AND REMOVE BURRS FIRST ANGLE PROJECTION	NAME	SIGNATURE	DATE	 
	DRAWN	PAOLO GARBIN	2018-07-30	
	CHECKED			TITLE
	APPROVED			Adjustable Support Bracket layout and manufacturing
MATERIAL	FINISH	SIZE	DWG NO.	REV.
steel S235JR	EN ISO 1461 85 um hot-dip galvanization	A3	2018-17-DAC-MFG1	0
SCALE	WEIGHT	SHEET		
1:5		1 of 3		

6

5

4

3

2

1

6

5

4

3

2

1

D

D

C

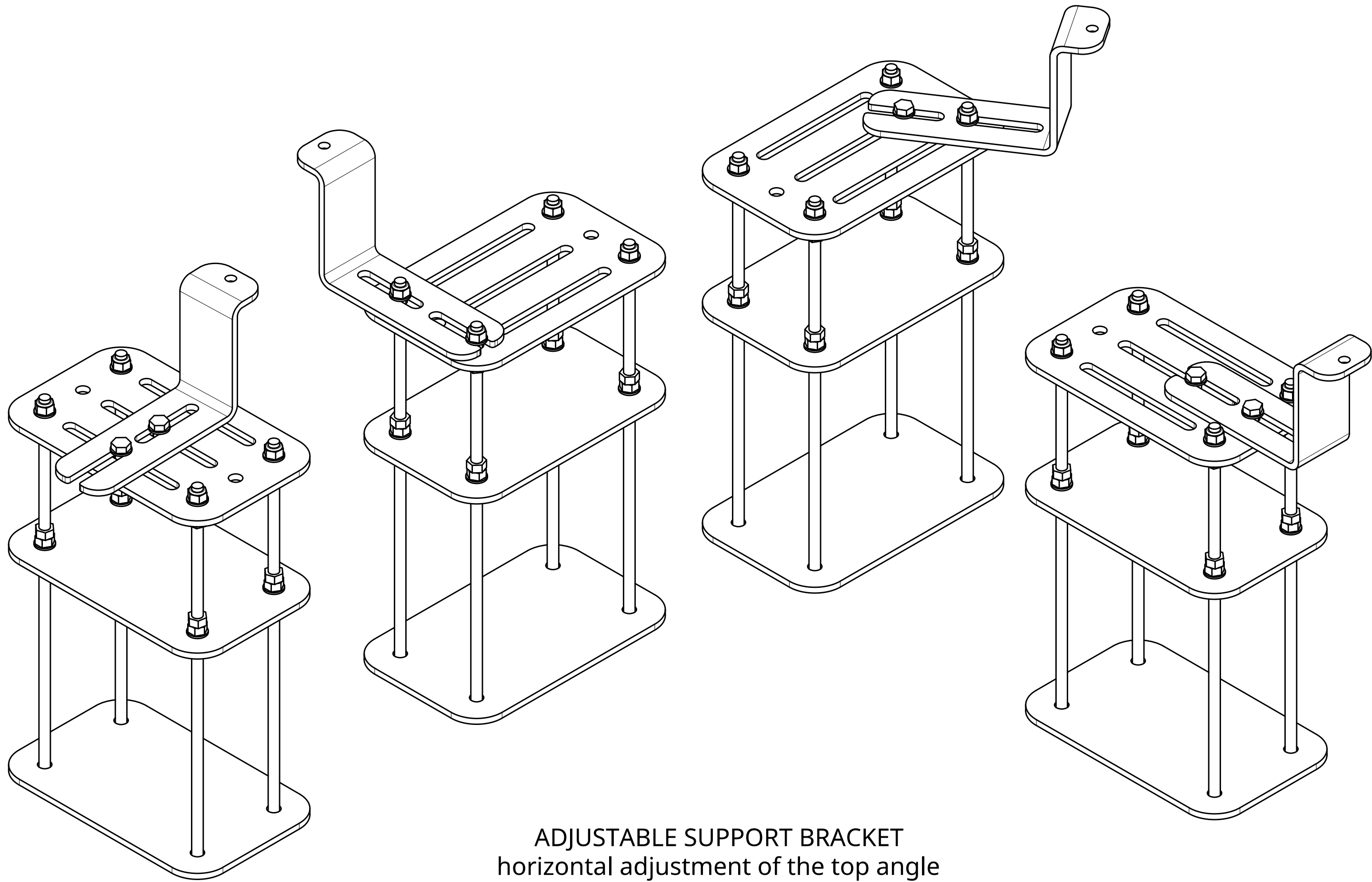
C

B

B

A

A



ADJUSTABLE SUPPORT BRACKET
horizontal adjustment of the top angle

6

5

4

3

2

1

6

5

4

3

2

1

D

D

C

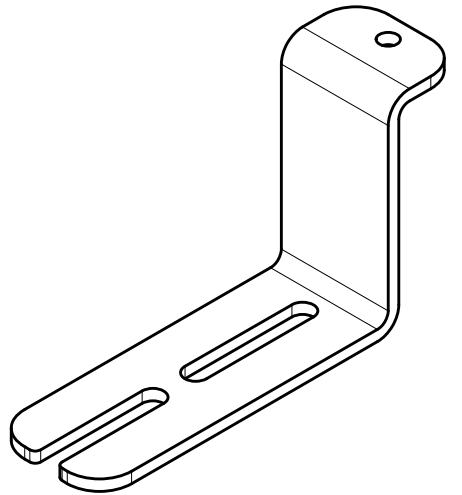
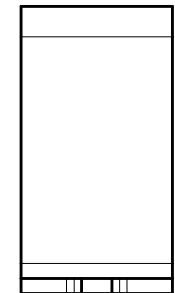
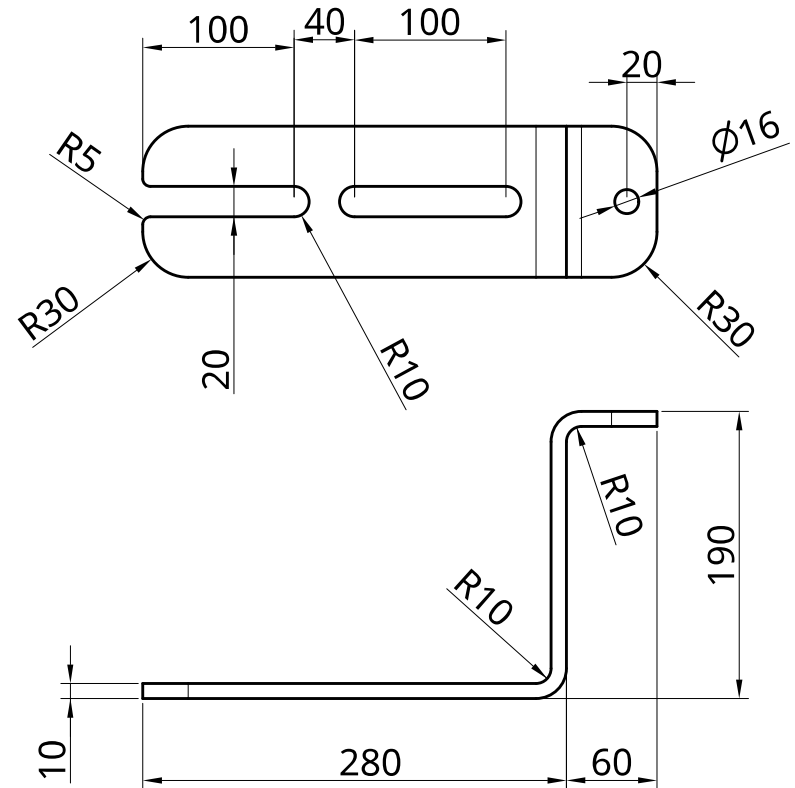
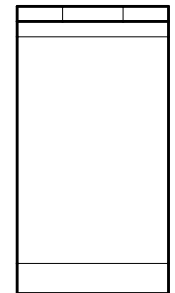
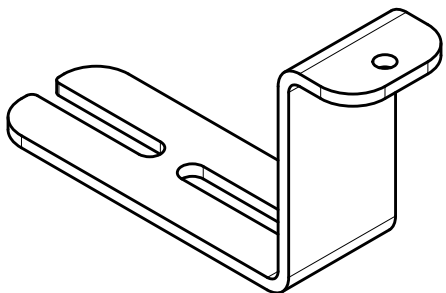
C

B

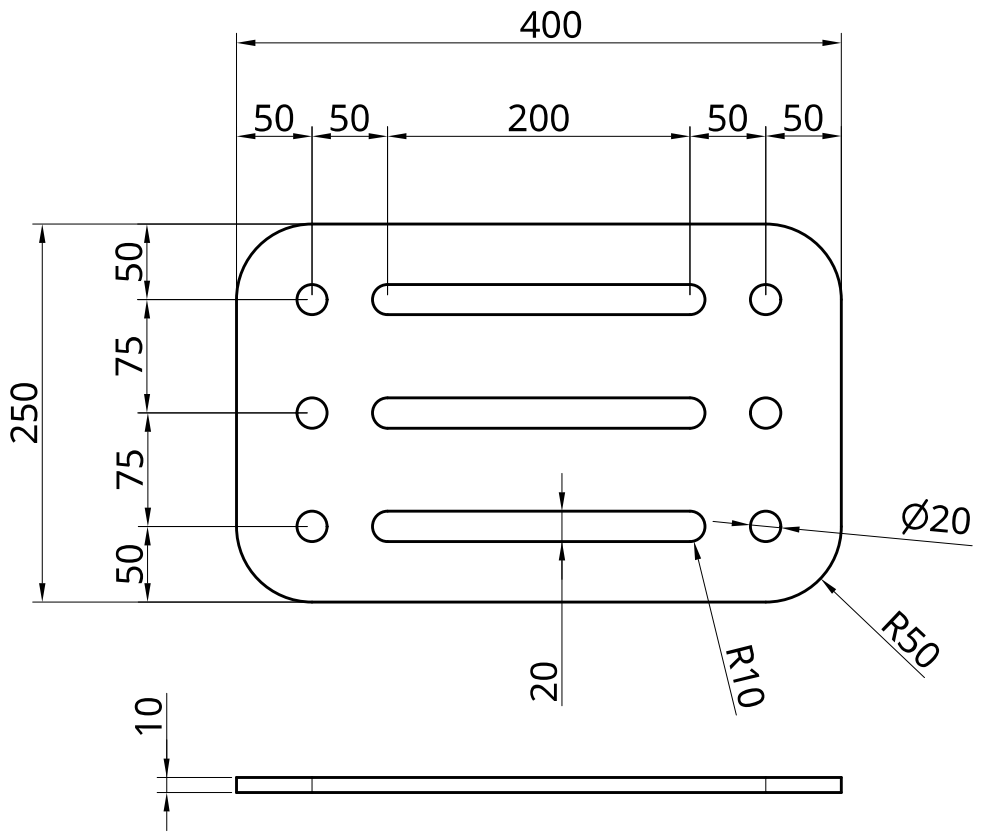
B

A

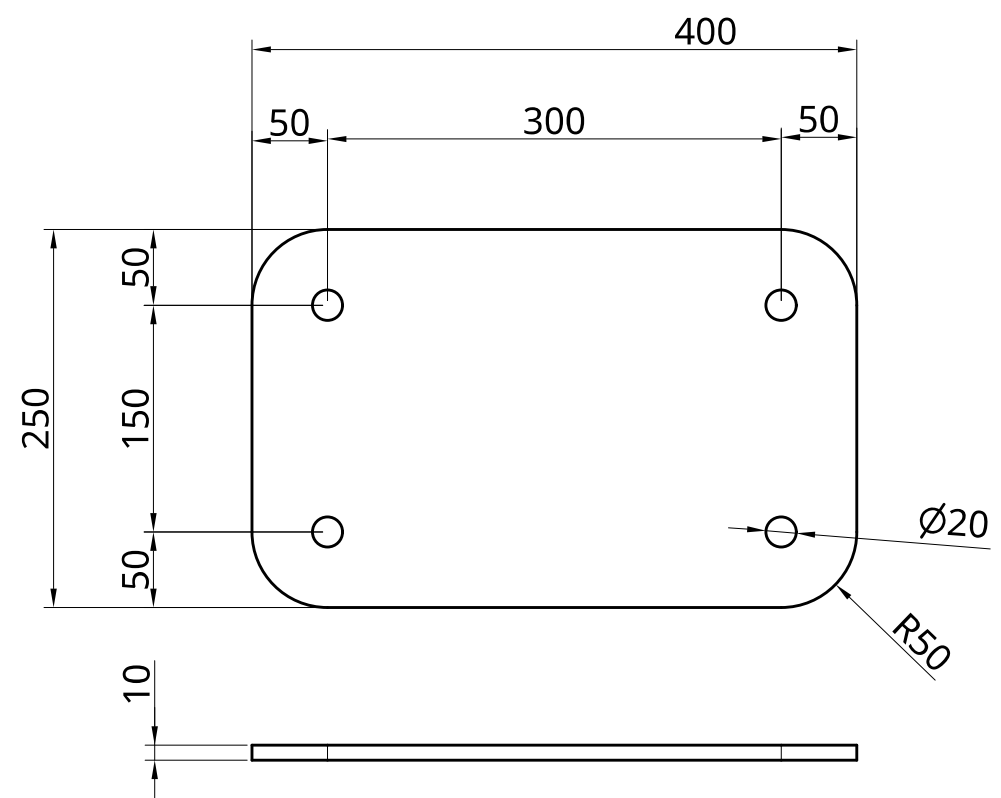
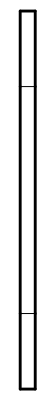
A



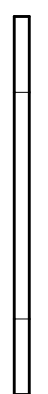
TOP ANGLE



CENTER UPPER PLATE



CENTER LOWER PLATE and BOTTOM PLATE



6

5

4

3

2

1

